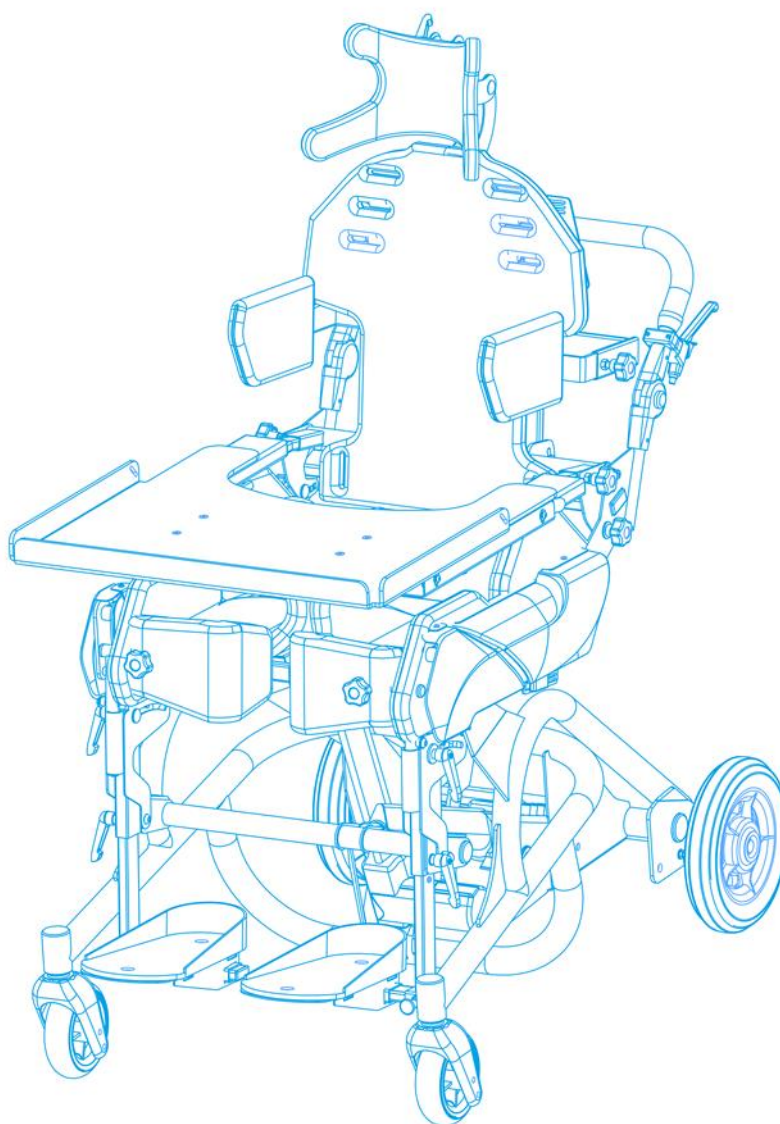




MANUAL FOR  
**BAFFIN TRIO**



sizes: 1,2 control: automatic



*Edition 5– 26.05.2021*



**NOTE!** THE MANUFACTURER IS SOLELY RESPONSIBLE FOR THE EQUIPMENT PURCHASED FROM A DIRECT REPRESENTATIVE OF LIW CARE TECHNOLOGY, OR IN SPECIALIZED MEDICAL SHOP REPRESENTING LIW CARE TECHNOLOGY IN POLAND.



**NOTE!** USE ONLY INDOOR WITH NO THRESHOLDS.



**NOTE!** WHEN USING THE PRODUCT, IT SERVICE, MECHANISMS SUBMITTING AND REGULATING, IT MAY OCCUR DANGER OF ENTRAPMENT AND/OR COMPRESSION OF USER'S/ACCOMPANYING PERSON BODY IN HOLES/SLOTS BETWEEN THE ELEMENTS. IT IS ADVISED TO PERFORM THESE STEPS VERY CAREFULLY. AFTER ADJUSTMENT STABILIZE POSITION BY ACCURATE TIGHTENING NUTS AND BOLTS.



**NOTE!** READ THE MANUAL NECESSAIRLY BEFORE START-UP.



1.	Introduction .....	4
1.1	Warnings & Safety Information .....	4
2.	Technical Information .....	5
2.1	The BAFFIN TRIO Multifunctional device consists of: .....	5
2.2	Technical Specification.....	6
3.	Intended Use.....	7
4.	Setting and Adjustment .....	7
4.1	Width and Depth Adjustment of the Multifunctional device .....	7
4.1.1	Width Adjustment .....	7
4.1.2	Removing Pelvic Supports.....	8
4.1.3	Removing the Plastic Covers.....	9
4.1.4	Depth Adjustment .....	10
4.1.5	Seat Position Adjustment.....	10
4.2	Lateral Supports Adjustment .....	11
4.2.1	Lateral Supports Width Adjustment .....	11
4.2.2	Dismantling Lateral Supports.....	11
4.3	Armrests Adjustment.....	12
4.3.1	Removing the Armrests .....	12
4.4	Footrest Adjustment.....	13
4.4.1	Adjusting the Height of the Footrest .....	13
4.4.2	Adjusting the Angle and the Position of the Foot platform .....	14
4.4.3	3D Feet system angle and platform adjustment.....	14
4.4.4	Fastening the feet onto the foot platform.....	15
4.5	Adjusting and regulating the Knee Supports .....	16
4.5.1	Unfastening and closing the Knee Supports .....	16
4.5.2	Regulating and Adjusting the Knee Supports.....	16
4.6	Adjusting the Back Support.....	17
4.7	Fitting and adjustment of the vest and hip belts .....	18
5.	Changing position .....	19
5.1	Changing position/verticalization .....	19
5.1.1	Changing Position from Sitting into Standing .....	19
5.1.2	Changing Position from Sitting into Laying .....	20
6.	Equipment .....	20
6.1	Headrest .....	20
6.1.1	Adjusting the headrest.....	20
6.2	Table .....	21
6.2.1	Adjusting the width of table handles.....	21
6.2.2	Assembling the table .....	21
11.1	Upholstery .....	22
11.2	Battery .....	23
11.3	Built-in-spine system lock .....	23
12	Handling the device .....	24
13	General Care & Cleaning.....	24
13.1	Cleaning and maintenance recommendations .....	24
13.2	Disinfection .....	25
14	Disposal of the product.....	25
15	Service & Maintenance.....	26
16	Identification plate.....	26
17	Symbols meaning.....	27
18	Compliance with the safety requirements for medical devices.....	28
	WARRANTY CARD.....	29

## 1. Introduction



The BAFFIN TRIO Multifunctional device developed by LIW Care Technology Sp. z o.o. was designed and patented to provide a new approach in rehabilitation. Every effort has been made to ensure that BAFFIN TRIO Multifunctional device is extremely easy to use, as well as providing a wide range of anatomical adjustment and posture correction.

Please ensure this manual is read thoroughly before use. It is important to follow all the guidelines and recommendations to ensure full safety and comfort for the user and caregivers, as well as avoiding potential damage to the equipment. Where there are multiple caregivers or new caregivers, all concerned should receive training on the equipment and have a copy of this document, or be aware of its location for reference purposes. Complimentary training is available from the Distributors. In order to benefit from all the features of the Baffin TRIO, it is important to ensure that the product is properly set and adjusted to the User's particular needs prior to use.

### 1.1 Warnings & Safety Information



The safety of those who use our products is of paramount importance to LIW Care Technology Sp. z o.o. For safety and comfort whilst using the BAFFIN TRIO and to avoid the risk of any damage to the equipment, it is very important to read these instructions before use and to ensure the recommendations and warnings, are read and understood, by the user and/or any others involved in operating the equipment.

#### Safety and Misuse Warnings:

- Do not make any changes to this produce that may affect safety.
- All the equipment identified in this manual must only be used in the manner described.
- Please take immediate action on any repairs that are required.
- If any changes are made to this product that can affect safety, the person making the changes may be held responsible. The manufacturer or distributor cannot be held liable for any changes or modifications made to their products once they have been dispatched.



**Please take note of this symbol.**

**It highlights specific points relating to safety and failure to follow these instructions could risk injury to the user or career.**

#### Transporting

The user should not be transported in the Baffin TRIO in a vehicle.

#### Service & Maintenance

It is important that regular service and maintenance is carried out. This will maximize the life of the equipment. See relevant section of this Handbook.

#### Travel in an Aircraft

If your Baffin TRIO is being transported in an aircraft hold, whether it is folded or unfolded, please ensure that it is well padded and packed, and restrained securely.

## 2. Technical Information



### 2.1 The BAFFIN TRIO Multifunctional device consists of :

1. Central Core (Spine)
2. Back Support
3. Side supports
4. Hip Supports
5. Legs abduction belts
6. Thigh supports
7. Armrests
8. Knee Support
9. Footrest
10. Foot Platform
11. Standing Base
12. Seat
13. Actuators
14. Push Handle
15. Brakes
16. Head rest
17. Heel Supports
18. Table
19. Battery
20. Respirator Shelf
21. Spine Interlock

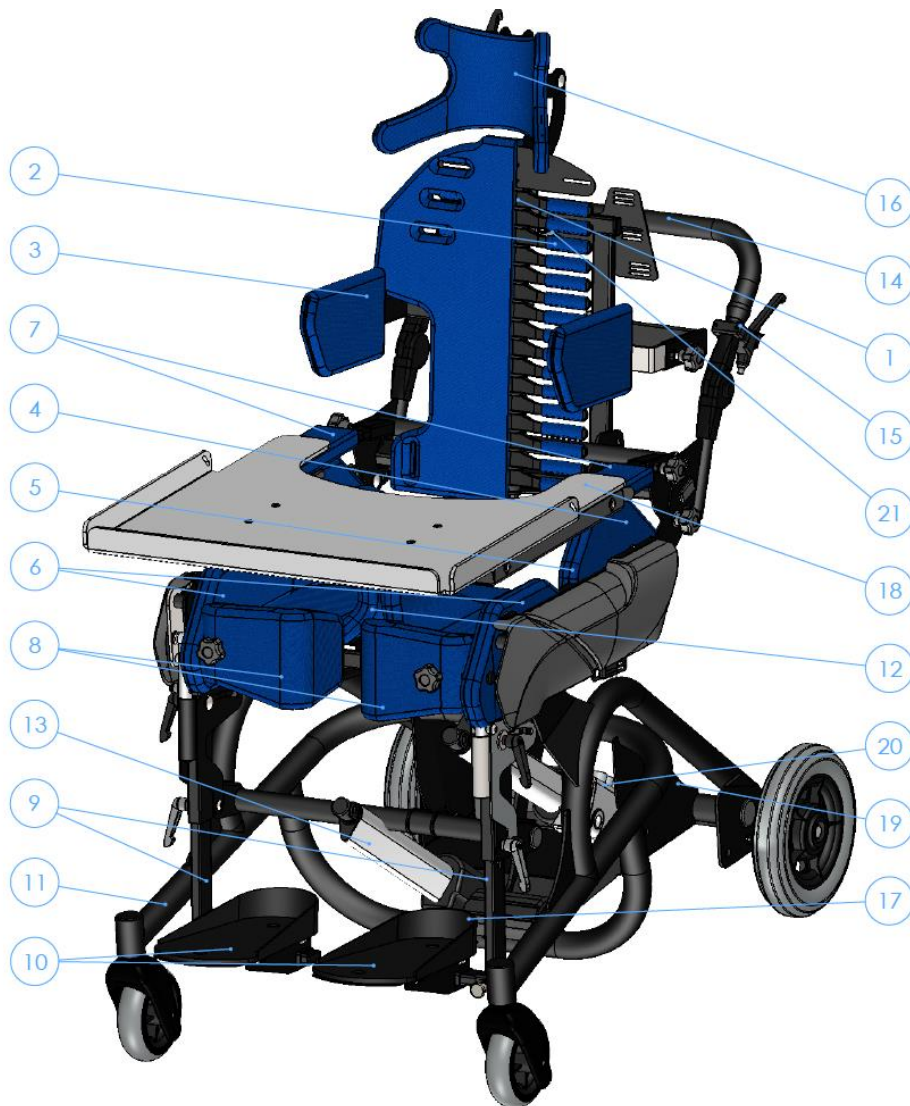
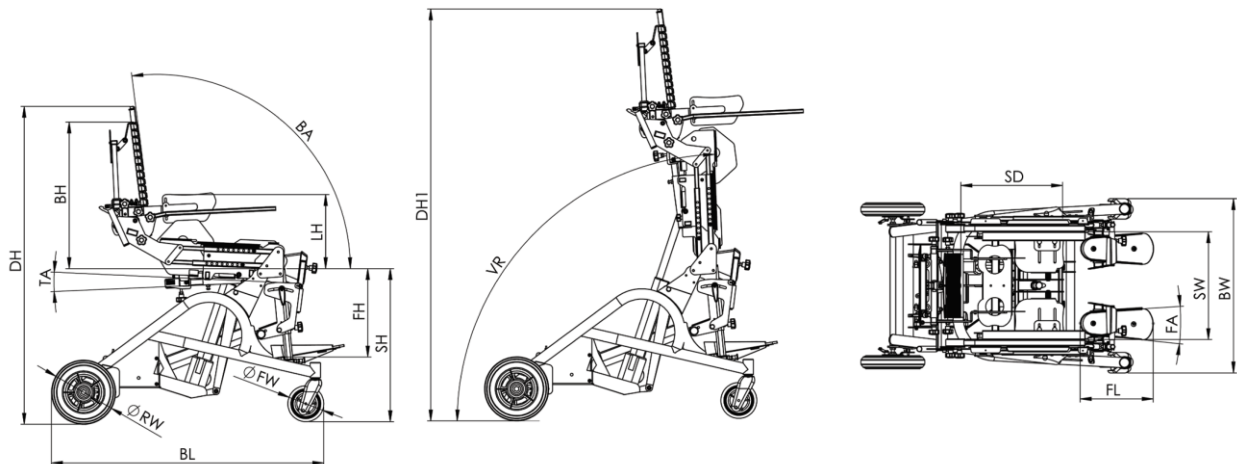


Fig. 1: Frame Work Of Multifunctional device

<sup>1</sup> The equipment of Baffin TRIO Multifunctional device is available depending on the Continent, Country.

## 2.2 Technical Specification

There are two sizes of an individual standing seat available. Detailed size parameters are presented in the table below:



		Size I (cm)	Size II (cm)
1	Seat height (SH)	62	62
2	Back height (BH)	61	61* 77*
3	Backrest Angle (BA)	80° ÷ 115°	80° ÷ 115°
4	Verticalization Range (VR)	0° ÷ 85°	0° ÷ 85°
5	Base length (BL)	106	112
6	Base width (BW)	69	77
7	Foot platform height (FH)	32÷42	35÷49
8	Foot platform length (FL)	28	32
9	Rear wheel diameter (RW)	25	25
10	Front wheel diameter (FW)	14	14
11	Seat depth (SD)	36÷50	36÷50* 50÷64*
12	Seat width (SW)	27÷40	34÷45
13	Footplate angle (FA)	+/-14°	+/-14°
14	Tilt angle (TA)	7°	7°
15	Lateral support height (LH)	26÷44	31÷62
16	Height of device in restful position (DH)	120	130
17	Height of device in vertical position (DH1)	172	200
18	Weight of the device	57 kg	67 kg
19	Maximum user's weight	90 kg	90 kg

\*To choose from when ordering.

### 3. Intended Use



The BAFFIN TRIO Multifunctional device allows the user to be repositioned from sitting, to laying or standing, via an actuator control pad. It is primarily for indoor use only. It is not suitable for manoeuvring kerbs. It is not intended for transport, therefore the user should not be transported in the Baffin TRIO in a vehicle. Intended Users are those with faulty postures and muscle dysfunction. Particular conditions include cerebral palsy, muscular dystrophy, paralysis of various types, tetra and paraplegia. It can be used in treatment to help prevent the consequences of postural defects and malfunctioning of the body connected with them. The device makes it possible to put the spine and pelvis in a correct (optimal) position. If you have any questions or doubts, contact your equipment provider/clinician in the first instance.

### 4. Setting and Adjustment



Only authorised people can set and adjust this product. It is strongly recommended that setting and adjustment is carried out by a qualified clinician or personnel authorised by a qualified clinician

#### 4.1 Width and Depth Adjustment of the Multifunctional device

##### 4.1.1 Width Adjustment

The width adjustment can be done by using the knob, which is pointed by the red arrow (Fig. 3).

Loosen the knob do adjust the width of the pelvic supports. After the adjustment is done, tighten the knob.

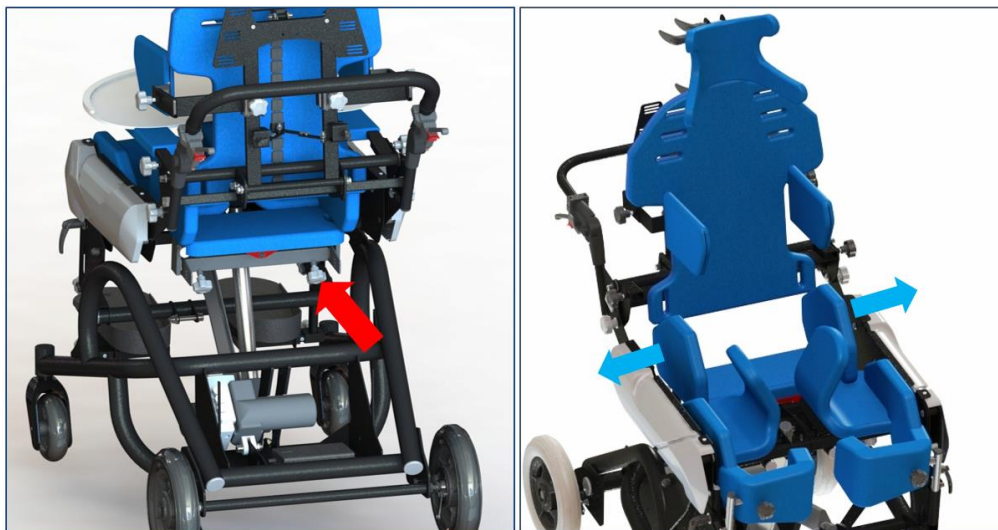


Fig. 3: Pelvic Supports Width Adjustment

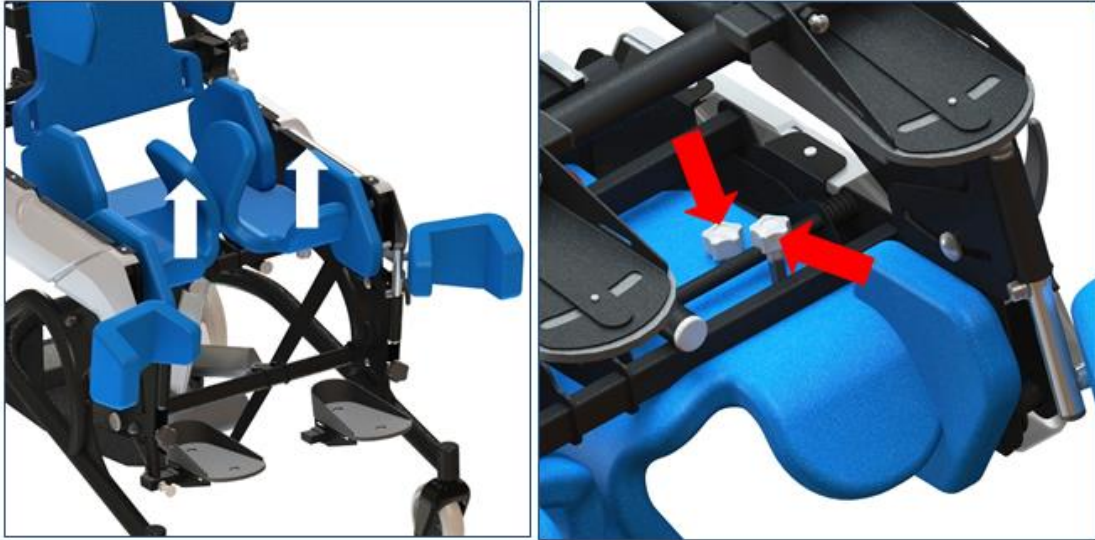


Fig. 4: Thigh Supports Width Adjustment

The knobs are placed on the right and left sides of the device. It enables the symmetrical and asymmetrical adjustment of the user's body. To adjust the spacing between the thigh supports, use the two knobs which are situated under the thigh supports (Fig. 4).

In order to adjust the supports, unfasten the upholstery from the thigh supports and fold it to uncover the knobs on the underside of metal supports.

Next, twist off the knobs in order to set the required position of the thigh supports freely. After setting the correct position, twist the knobs to fix the chosen position. The thigh supports can be positioned at an angle towards the longitudinal axis of the device, which increases the possibility to pull the thigh away. The position of the thigh supports influences the correct position of knees in relation to the pelvis.

The knobs are situated on the right and left sides of the device. They operate independently. They allow for symmetrical and asymmetrical positioning of the user's body.

#### 4.1.2 Removing Pelvic Supports



Fig. 5: Removing pelvic supports

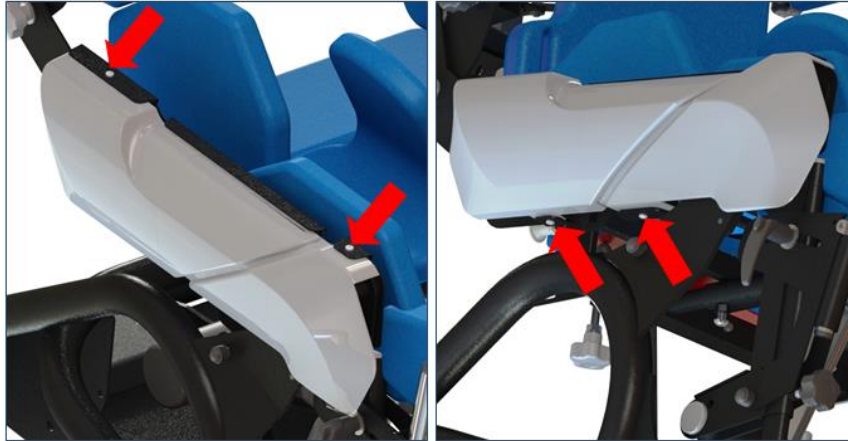
The side pelvic support system can be fitted or removed quickly. To remove, pull away the setting pivot and pull out the



pelvic supports from the grip (Fig. 5) Similarly, in order to fit back the pelvic supports, pull away the setting pivot and push in the supports into the grip to the required depth and the automatic fixing system will secure the support from pulling out by accident.

#### 4.1.3 Removing the Plastic Covers

Before adjusting the depth of the seat, remove the plastic cover on both sides of the machine. The covers are fixed with the use of 4 screws (2 on each side), placed on the top and bottom covers (Fig. 6).



*Fig. 6: Screws fixing the covers*

After undoing the screws, pull out the covers from the fixing slits (Fig. 8). In order to prevent damage to the covers, first take off the back cover (outer), then the front cover (inner) (Fig. 7).



*Fig. 7: Plastic covers removal sequence*

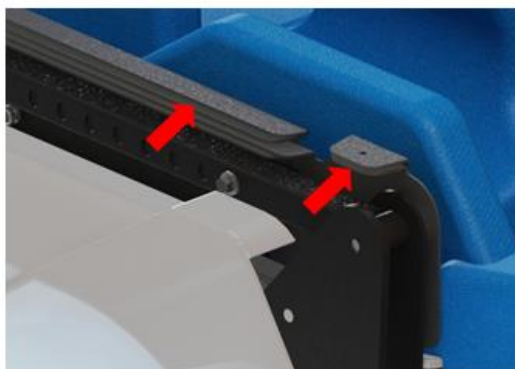


Fig. 8: Fixing slit

The covers should be fitted in a similar way, in the opposite order. Fit the front cover first and then the back one.

#### 4.1.4 Depth Adjustment

To adjust the depth of the seat, use the blocking screws marked with the red arrows (Fig. 9). It is possible to change the depth of the device after the screws have been completely undone on both sides of the device. Push in or pull out the back part of the seat into the right depth. The depth of the seat must be set so that the axis of the device (marked with X and Y in the figure) are congruent with the anatomical axis of the hip joint and the knee-joint. Make sure that (after setting the required depth) the screws are properly screwed in symmetrically in corresponding holes on both sides of the device. Failure to do this may cause damage.



**While screwing the seating depth adjustment bolts, hold the back support. Setting too little depth of the seat can cause pressure on the knees in the standing position. Setting too much depth will cause the patient to slide down and the underarms to push against the armpits.**



Fig. 9: Seat depth adjustment

#### 4.1.5 Seat Position Adjustment

In order to adjust the position of the seat, use the screw marked with the red arrow (Fig. 10). After undoing the screw, the seat must be pulled out or pushed in to the required depth. After making the adjustment, stand the device and make sure that the seat does not collide with the lower part of the central cord (the spine of the back support).



Fig. 10: Seat position adjustment



ATTENTION!

Adjustment of the position of the seat must be performed each time after the depth is adjusted (see 5.3). Setting the seat in an inappropriate position can cause danger for the patient or can damage the seat.

## 4.2 Lateral Supports Adjustment

### 4.2.1 Lateral Supports Width Adjustment

In order to adjust the width and height of the lateral supports, unscrew the knob marked with a red arrow in Figure 11. After adjusting the width and height of the lateral supports, tighten the knob.



Fig. 11: Lateral Supports Width and Height Adjustment

Carefully check if the adjustment is completely correct:-i.e.



ATTENTION!

- That no element of the equipment puts too much pressure on any of the user's body parts
- That there is not too much space between the user and the device
- That, after setting the system for the User, all the screws and adjusting knobs have been tightened.

### 4.2.2 Dismantling Lateral Supports

Lateral supports have a system that allows easy assembly and dismantling:

To remove the lateral support, unscrew the knob marked with a red arrow and pull out the bracket with from the handle (figure 12). Similarly, to mount back the lateral support, slide the bracket in the handle to the desired depth and then tighten the knob.



Fig 12: Dismantling Lateral Supports

### 4.3 Armrests Adjustment

The Armrest system makes it possible to smoothly adjust the angle, the height and the spacing of armrests. In order to change the angle of armrests, loosen the blocking knobs (Fig. 13), and then, after setting the right angle, block the mechanism of armrests by tightening.



Fig. 13: Adjusting the angle of armrests

Spacing of armrests is adjusted by switching the armrests. In order to switch them to opposite sides, pull away setting pivots which block the armrests, pull out the armrests from their fixing nests and change places.

#### 4.3.1 Removing the Armrests

Dismantling the armrests is possible by unscrewing the knobs blocking armrests marked with a red arrow (figure 14). To install the armrest, slide it back into the slot and then tighten the locking knobs.



Fig. 14: Removing the armrests

#### 4.4 Footrest Adjustment

The footrest is used to support the feet while sitting, lying down and during tilting. The footrest is adjustable by:

- height,
- angular positioning of the foot platforms.

##### 4.4.1 Adjusting the Height of the Footrest



ATTENTION!

**Inappropriately tightened knobs and screws can cause the footrest to move in the upright position and can lead to injury or damage to the device.**

Use the knob marked with a red arrow in Figure 15., to adjust the height of the footrest. There are two variants for regulation. The first variant, (figure in the blue frame) has knobs at the front of the device while in the second variant, (figure in the red frame) has knobs on the sides of the device. To change the height, the knob should be loosen first, then the footrest should be moved up or down. After putting it into required position, the knobs should be tighten properly. Footrests may be adjusted individually, which enables adjusting those for different length of the lower limbs. On the outside surfaces of the adjusting parts, there is a scale which helps proper adjusting of those.



Fig. 15: Adjusting the height of the footrest

Adjust the footrest according to the scale which can be found on the outer side of the profile of the footrest.



While pulling out footrest, do not exceed the scale over the MAX value. Pulling out the footrest beyond the MAX mark may cause falling and foot injuries for the user, or damage to the device.

#### 4.4.2 Adjusting the Angle and the Position of the Foot platform

To change the position, loosen the adjusting screws which can be found under the platform marked with the red arrows in figure 16. Loosening the screws will allow for setting the right position of the user's foot. After setting to the required position, ensure the screws are tightened.

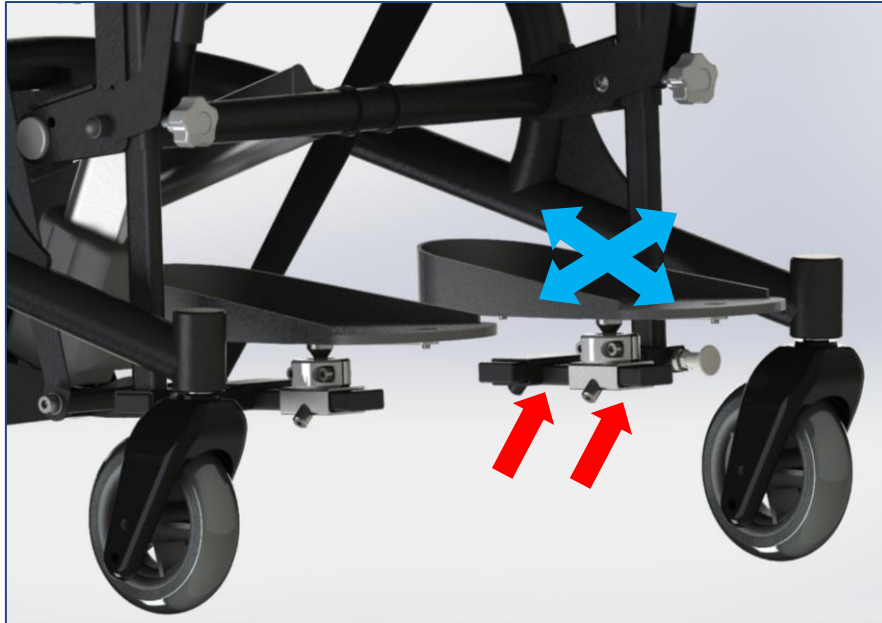


Fig. 16: Adjusting the angle and position of the foot platform

#### 4.4.3 3D Feet system angle and platform adjustment



\* Fig 17: The adjustment angle of feet platforms



*\* Fig 18: The adjustment forward-back and side-to-side of feet platforms*

The 3D Feet System enables effortless regulation of the feet platforms in every direction needed. To change the angle of the platform, the two screws marked by blue pointers should be loosened, the way shown on Fig. 17, with the help of the allen key 5mm. After adjusting the platform to the required position, the screws should be tightened.

The adjustment forward-back and side-to-side can be done by loosening the screws marked with red pointers on the Fig. 18, by using the allen key 4mm. After the adjustment is done, the screws should be tightened back.

#### **4.4.4 Fastening the feet onto the foot platform**

For safe handling of the BAFFIN TRIO Multifunctional device, it is necessary to fasten the user's feet onto the foot platform. Fastening the feet is carried out with the help of four straps. Unfasten the strap buckles, place feet on the platform, adjust the straps so that they lie tightly close against the feet. Finally, secure the buckles (Fig. 19).



*Fig. 19: Fastening the feet onto the foot platform*

## 4.5 Adjusting and regulating the Knee Supports

### 4.5.1 Unfastening and closing the Knee Supports

Use the knobs marked with the red arrow (Fig. 20). To unfasten a knee support, loosen the blocking knob and pull away the knee support from the user's knee. Next, move the knee support up and take it out or pull away outside.



Fig. 20: Unfastening and closing knee supports

To close the knee support, start by putting the shoulder of the knee support in the lock and then moving the knee support to the user's knee.

After setting the right distance from the user's knee (i.e. the minimum space between the user's knee and the knee support which does not cause discomfort), block the knee support with the knob.

Properly set, the knee support should not put too much pressure on the leg in the sitting and standing position. Each time when fastening the knee supports, check the locks by pulling the knee supports in the opening direction.

### 4.5.2 Regulating and Adjusting the Knee Supports

You can adjust the knee support in terms of pulling the knee away or back. In order to do this, tighten the knob marked with the red arrow (Fig. 21) and move the knee support to the left or right. After setting the required position the knob must be tightened until you feel resistance. Properly adjusted, the knee support should not put too much pressure on the leg in the sitting or standing position.





Fig. 21: Adjusting knee supports



Every time the knee support is fastened, check it is locked by pulling it in the opening direction. Properly adjusted, knee support should not put too much pressure on the leg in the sitting or standing position.

#### 4.6 Adjusting the Back Support

BAFFIN products the only ones on the market with a back-construction design based on the human spine. This unique feature enables back adjustment in an anatomical or correcting way. The central cord is built of segments placed every 26 mm.

To adjust the backrest, loosen the adjustment screws (fig. 22) and after obtaining the appropriate shape, tighten the adjustment screws. To get a more precise modeling of the shape of the back, detach the back cover from the central spine, which is assembled by means of hook and loop tape.



Fig. 22: Modelling the back support – removing the cover



It is essential that a Clinician specifies the shape of the back support.

#### 4.7 Fitting and adjustment of the vest and hip belts

The vest and hip belts are used to secure the correct position of the user in the seat. The vest and the hip belts are attached to the device with the use of belts. To fix the vest correctly, pass the fastening belts through the holes in fastening loops. These loops can be found in the top part of the back support (Fig. 23) and in the back part of the seat, on the left and right side, behind the plastic covers (Fig. 24). The length of the fastening belts can be adjusted by passing the belts through fastening loops or through buckles which fix the belts to the vest.

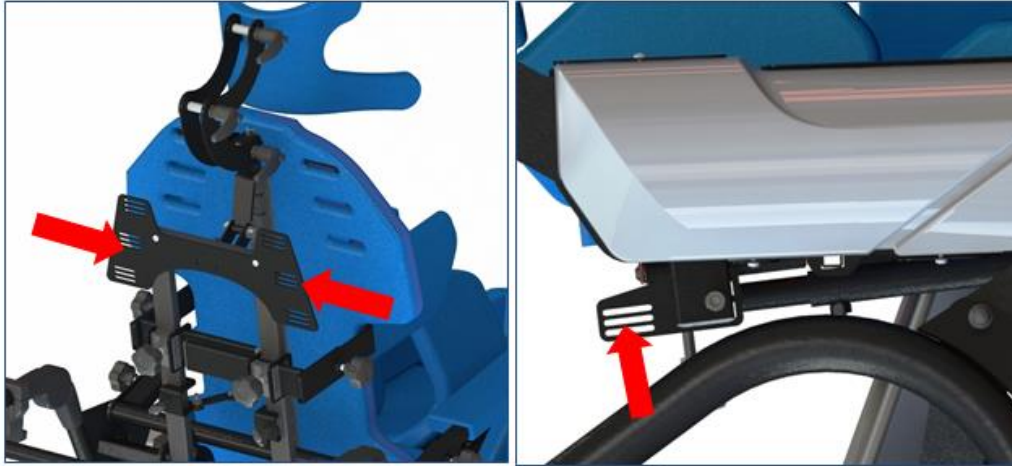


Fig. 23: Loops for fastening the vest

The hip belts are fixed at the back to the beam of the back support and they are passed through the profile under the seat in the front (Fig. 24). The length of the belts can be adjusted by passing the belts through the fastening buckles.



Fig. 24: Adjusting the position of the seat



**Before positioning the patient upright, make sure that all the belts are properly fixed in the fastening loops and that all the buckles of the vest and hip belts are correctly closed.**

## 5. Changing position



### 5.1 Changing position/verticalization

The Baffin Trio is equipped with a remote control to easily change the seat's position. The user can be put into the standing position from a sitting or a lying position.



**The user cannot be put into upright position until all the adjustment procedures are completed. SEE Section 5 above. Check that all the adjusting and fixing screws are properly tightened. Ensure the following action is taken before putting the user in the upright position:**

- 1) Fit the Chest belt and fasten all the buckles so that the user is properly stabilized in the device
- 2) Put on and fasten legs abduction belts
- 3) Ensure the wheel brakes have been applied
- 4) Fasten the knee supports; check that no component is placing too much pressure on the user's body in the sitting position with the knee supports fastened
- 5) Remove all the objects from the table

#### 5.1.1 Changing Position from Sitting into Standing

Ensure all procedures and checks detailed above have been performed.

Push the button on the remote control which is marked with the blue arrow (Fig. 25). If you want to return to the sitting position, push the button on the remote control which is marked with the red arrow.

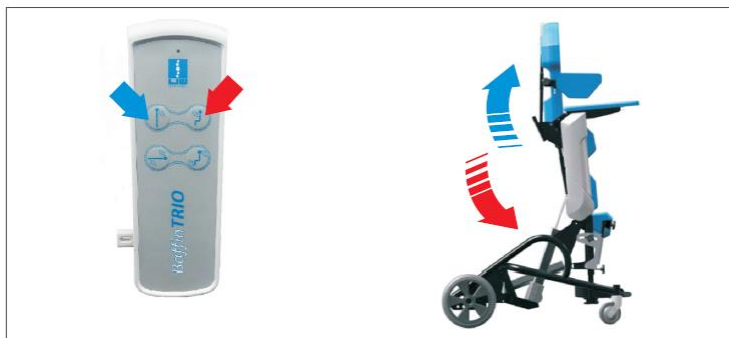


Fig. 25: Changing position - standing



Operation of the remote control can be disabled by pulling the pin - see the element highlighted by the blue arrow on (fig. 26)

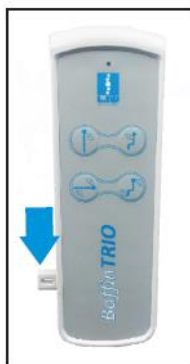


Fig. 26: Disabling the remote control

### 5.1.2 Changing Position from Sitting into Laying

Push the button on the remote control which is marked with the blue arrow (Fig. 27) – the back support will start to recline/bend down and the footrests will start moving up. Keep pushing the button on the remote control until the device is in laying position. The activity can be stopped any time to obtain various positions. In order to return to the sitting position, push the button on the remote control which is marked with the red arrow.

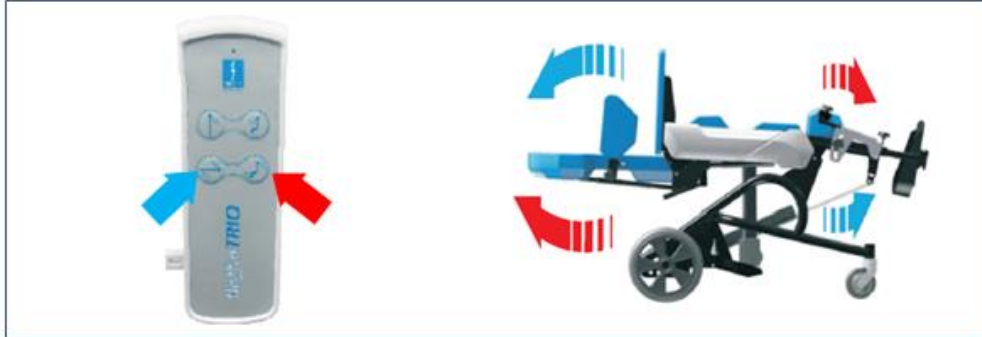


Fig. 27: Changing position – the laying position

The seat can change its position (standing, sitting, laying) in a smooth way for a maximum of 2 minutes. Then an 18 minutes break is mandatory. This is requirement of the actuator procedure.



ATTENTION!

Not following the above advice may result in permanent damage to the seat.

## 6. Equipment

The Baffin TRIO multifunctional device can be additionally equipped with

1. Head rest
2. Table
3. Battery
4. Heel supports
5. Spine interlock
6. Respirator shelf
7. Headpod

### 6.1 Headrest



ATTENTION!

Headrest is used to stabilize the head and keep it in the right position while sitting, lying or standing.

**The headrest must be used when the patient is in the laying position.**

#### 6.1.1 Adjusting the headrest

To change the position of the headrest, loosen the adjusting knobs (Fig. 28), set the headrest in the required position and tighten the adjusting knobs.



Fig. 28: Adjusting the headrest

## 6.2 Table



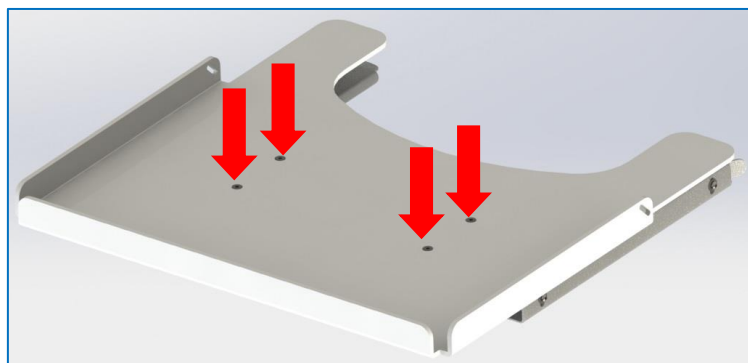
Before fitting, adjust the spacing between the handles of the table to the spacing of the armrests. Inappropriate adjustment might cause the table to be unstable, damage the device or risk an injury to the user.

### 6.2.1 Adjusting the width of table handles

In order to adjust the width of the table brackets to the spacing of the armrest, loosen the screws on the table holders (shown in Fig. 29, red arrows), then slide or enlarge the table holders to fit the spacing of the armrest, then tighten back the screws.

### 6.2.2 Assembling the table

In order to mount the table on the device, pull back the setting pins located under the table and then turn them by 90 degrees. Then lean top of the table on the device armrests. The table handles should be positioned so that they can be slipped over the armrests. Then slide the table deep enough to give it a stable support. (drawing 29). In order to prevent it from accidentally slipping out, unblock the setting pin by turning it by 90 degrees and move the table slightly in order to place the pin into appropriate seat, then we will hear characteristic click.





*Fig 29: Assembling the table*

### **6.3 Upholstery**

The upholstery offered with the device is made of breathable fabric. It is compliant with the Oko-Tex Standard 100, which confirms the total user's (including children) safety. The fabric used to make upholstery does not contain any harmful substances, e.g. pesticides, chlorophenols, formaldehyde, dyes causing allergies, forbidden azo dyes and extractable heavy metals. The Oko-Tex Standard 100 mark is granted only to such textiles whose all components are tested during each production process stage and obtained positive results.

The upholstery is removable and washable. Each element has a zipper or snaps.

Before washing, ensure that any foam elements are removed.

The upholstery can be hand washed or machine washed at a maximum of 40 degrees C. with a short spin. Do not tumble dry. Use non-biological washing powder, suitable for delicate fabrics.

## 6.4 Battery



**Before first use, the device should be plugged in to the network 100 – 240V to unlock the electrics of the battery and obtain complete charging of the battery.**

The battery is an individual power supply, which enables automatic control with no need to plug the device into the network 230V. After discharging, the battery requires to load it again. On the casing of the battery, there is a diode which indicated the status of the battery during charging.

**Charging mode** (when system is plugged in to the network 100 – 240V):

- the diode is orange, constant, short light impulses with the 1s frequency – charging
- the diode is green, monotonous light – the charging is finished, and the battery is full.

Low battery status is indicating by repetitive, short sound signals – which are reminder for plugging the device into the network 100 – 240V to charge the battery again.

Appearance of the first sound signal means, that there is still 10-15% of energy remaining, which enables to finish the verticalization action and safe return the device to the starting position.



**After appearance of the first sound signal indicating low battery status, the action of starting the verticalization should not be taken, before earlier plugging the device into the network 100-240V. It may cause a danger of complete discharging the battery, sudden stop of the device and impossibility to put the standing frame back to the starting position.**

Battery Technical data: ion-lithium battery. Output parameters: 25.2V 1800mAh 45Wh

Charger Technical data: impulse power supply. Input parameters: AC 100-240V 1.5A. Output parameters: DC 29V 2A



**To obtain the maximum of the durability, the battery should be charging at least once a week for minimum time: 12h. After discharging of the battery, it should be immediately put to charging. Keeping the battery in complete discharged status leads to its permanent damage. Complaints caused by inappropriate exploitation of the battery won't be taken into consideration.**

## 6.5 Built-in-spine system lock

The decision on assembling additional built-in-'spine' system lock should be made only by person authorized by manufacturer of individual device for enabling vertical position after obtaining an accurate certificate. For the lock installation, knobs (two marked by red pointers on fig. 28-left) should be loosen, and then the lock should be moved on profiles on devices back. After gaining desired height of lock, knobs should be tightened. For lock adjustment, four screws should be loosened (four marked red pointers on fig. 28-right), then tightened to the main core, and finally blocked by tightening the screws.).

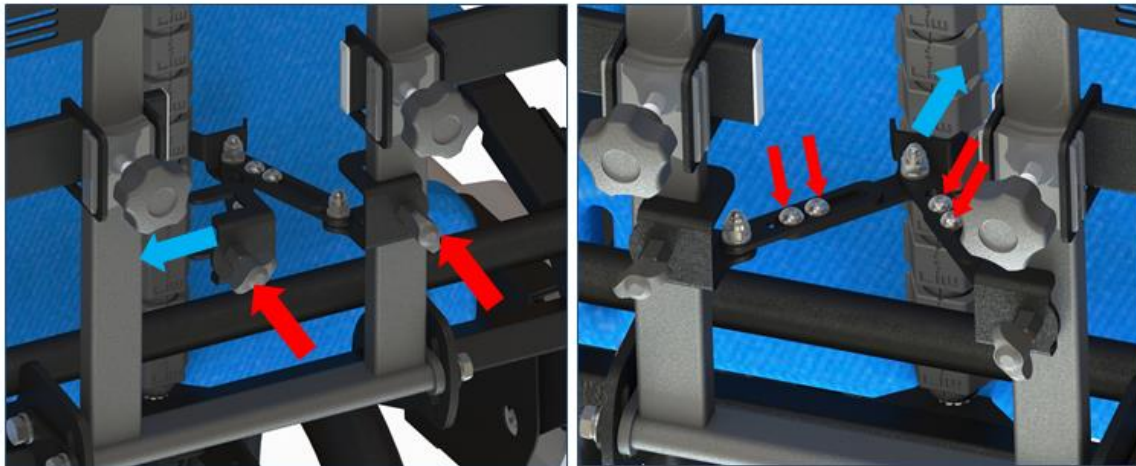


Fig 28 Built-in-'spine' system lock installation

## 7 Handling the device



Moving BAFFIN TRIO require two people. The device base should be grabbed with both hands and lifted evenly, then moved to the destination point.



Fig 29 Handling the device



**While moving and transporting the device, plug off the remote control.**

## 8 General Care & Cleaning



The Baffin TRIO made of powder coated steel and aluminium. Plastic covers and foam and sponge refills are attached to the metal construction. The foam is upholstered with textile covers. It is important that the equipment is kept clean regularly and maintained in accordance with these instructions.

### 8.1 Cleaning and maintenance recommendations

The coating and plastic covers should be cleaned with a damp cloth, using a gentle household detergent.



The upholstery can be hand washed or machine washed at a maximum of 40 degrees C.



**The device is not waterproof. Do not allow for direct contact with water. The device is for indoor use, at room temperature. Do not use the device outdoors or expose it to direct contact with weather conditions.**



**When washing the upholstery, pay attention to the Velcro tapes. In order to avoid damaging the upholstery, make sure that the Velcro tapes are unfastened and they do not touch the velour. Do not wash with the foam inside. Wash the upholstery only.**

When washing / during laundry, use detergents with PZH certificate designed for delicate materials. Use in the quantities specified on the package.

- For water removal – do not wring, short-term spinning is acceptable.
- For drying - should be dried by hanging, at room temperature.

Foam and sponge refills:

- Vacuum or brush with a soft bristle.
- A cleaning cloth moistened with water and mild chemicals can be used. After this operation, dry thoroughly at room temperature.

## 8.2 Disinfection

If the device is used by different patients (ex. in a rehabilitation centre) it is necessary to use disinfectants. For the manual disinfection, it is recommended to use Incidin plus in the solution from 0,25% to 0,5% or another similar product. It is necessary to follow the instruction of application supplied by the disinfectant's producer. Advice: before disinfection clean upholstery and handles.

## 9 Disposal of the product



If the user resigns from using the product, then he is obliged to dispose of the product in line with the environmental regulations.

He is obliged to disinfect the device, since the product which has not been disinfected in line with the environment protection laws is considered to be hazardous.

Disposal of the product may be:

- Carried out by a company which is in possession of the credentials required to dispose of the devices.
- In case when the product is scrapped, the plastic elements shall be disposed of separately from the metal ones, in line with the requirements.
- Should any questions arise, one should address them to the local authorities, waste disposal companies or to our maintenance department.
- The electrical components (drives, controllers, panels, batteries) shall be disposed of as electrical waste, in line with the WEEE directive.



## 10 Service & Maintenance



Should you notice and faults or defects, you should stop using the buggy immediately and contact your dealer or manufacturer. Defective unit must be protected against enlarging the area of damage. Never attempt to disassemble or repair the product. Do not replace original parts with the ones coming from a source other than the manufacturer recommends.

- If the user decides not to continue using the product it is bound to its disposal in accordance with the applicable environmental regulations.
- The economic lifetime of the product is five years.
- The manufacturer provides post – warranty service.

### Contact details:

**LIW Care Technology Sp. z o.o., ul. Golfowa 7, 94-406 Łódź**

**www.liwcare.pl**

**tel. : 42 212 35 18 email: reklamacje@liwcare.pl**

Warranty terms are specified in the warranty card, which is an integral part of this statement. The warranty card is available on the last page of this document.

## 11 Identification plate



	BAFFIN TRIO	
<b>SN</b>	BAFT - 10000	<b>CE</b>
rozmiar/size:	1	
	90 kg	
<b>MD</b>	100 - 240 V 50/60 Hz	
MM/YYYY	LIW Care Technology Sp. z o.o., ul. Golfowa 7, 94-406 Łódź, Poland	

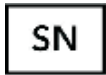
## 12 Symbols meaning



Manufacturer's name



Date of manufacture



Serial Number



User's permissible weight



Avoid contact with water



Note! Follow product instructions



Electrical appliance protection class II  
100-240V - Current voltage  
50/60 Hz – Current frequency



Unlocking direction



Movement direction



Mark of conformity according to the Regulation 2017/745 of the European Parliament and of the Council (EU) dated from April 5<sup>th</sup>, 2017 on medical devices, Annex V.



Ban on disposal of the device to household waste-bin



Medical device

### 13 Compliance with the safety requirements for medical devices



Hereby we confirm that the multifunctional device Baffin TRIO meets requirements of the Regulation of the European Parliament and of the Council (EU) 2017/745 dated from April 5<sup>th</sup>, 2017 on medical devices.

The multifunctional device Baffin TRIO in accordance with Annex VIII of the Regulation of the European Parliament and of the Council (EU) 2017/745 dated from April 5<sup>th</sup>, 2017 on medical devices is a non-invasive, active class I medical device according to the rule 13<sup>th</sup>.

The Declaration of Conformity for this product can be found in manufacturer's Sales Department.

WARRANTY CARD

Warranty terms:

1. Manufacturer of medical device - LIW Care Technology Sp. o.o (ul. Golfowa 7, 94-406 Łódź, Poland) ensures that the company sells an operative device, free from construction, installation, material defects, etc., and that the device will remain free from such defects during the warranty period. This warranty does not cover usefulness of the product for the Buyer purposes.
  2. LIW Care Technology Sp. z o. o. (the manufacturer) grants a two-year warranty for the equipment, starting from the initial purchase date.
  3. The only proof of warranty is this warranty card, issued by the Seller to the Buyer. To transfer warranty entitlements, you need to transfer the possession of this warranty card.
  4. In case of finding any faults or defects during the warranty period - the manufacturer will remedy the defect at his own cost. If parts are replaced, the removed part shall become the property of the LIW Care Technology Sp. z o. o. and shall not be returned to the warranty user.
  5. Under the warranty, the user is obliged to report physical product defect during the warranty period via a form on our website: www.liwcare.pl, following prior logging to the "customer zone" by post LIW Care Technology Sp. z o. o. or by phone: +48 42 212-35-18
  6. Under the warranty, the user is obliged to deliver the equipment with warranty card and along with the original document of purchase (VAT invoice or receipt) at the expense of the manufacturer to his seat. when there is no receipt, the initial purchase date (the start of the warranty period) shall be the date of manufacture.
  7. The device sent to the service, should go with the clean upholstery, or, in the event of impossibility of washing it, the upholstery should be taken off. In the event of receiving dirty unit to the service, producer has the right to refuse carry out repairs.
  8. This warranty does not cover:
    - waste elements and destroyed or damaged parts due to improper use (in particular, but not exclusively due to improper instructions issued or under unfavorable conditions), or improper storage of the product,
    - damage caused by any alterations or additions to the device made by the user or a third parties,
    - damage caused by improper cleaning or maintenance of the product made by the user or a third party,
    - damage caused by normal wear and tear or normal aging of the product,
    - damage caused by user's lack of negligence (particularly, but not exclusively, in maintenance and cleaning of the product),
    - damage caused by force majeure,
    - damage caused by external events (pollutions, mechanical and water damage).
  9. The warranty does not include does not include regulation and adjustment during the warranty period, because they do not constitute a product defect.
  10. In order to qualify for the above warranty, you need to deliver the product which is securely enclosed in packaging to the manufacturer. To do that, use the original packaging. If the user do not deliver the product in the original packaging, his replacement packaging must satisfy the following requirements: solid box with intact walls, separate protection for each component, cushioning material, strong tape used for wrapping, as well as sender address or receiver (LIW Care Technology Sp. z o. o). address.
- LIW Care Technology Sp. z o. o. shall not be held liable for product damage caused by insufficient packaging.
11. Warranty Repair or replacement will be made as far as possible within 30 days from the proper delivery of the product by the warranty user to LIW Care Technology Sp. z o. o
  12. After warranty repair, the product will be delivered at the expense of LIW Care Technology Sp. z o. o., to the supplied address. In the event when a correctly addressed package is not collected, the warranty user is obliged to shall bear all costs related to the product transport and its storage.
  13. Quality warranty granted by LIW Care Technology Sp. z o. o. does not affect any legal rights of the Buyer.

*Thank you for choosing our product. We wish you success in therapy with our equipment.*

**NOTE!**

**KEEP THE WARRANTY CARD IN A SAFE PLACE**

**LIW Care Technology Sp. z o. o. will require providing this document before accepting the warranty repair.**

Product name/Type .....Serial number:.....

Sold-by date:.....

Stamp and signature of the Seller: .....

No.	Date of repair request	Procedures	Repair completion date	Stamp and signature of the technician
1				
2				
3				
4				